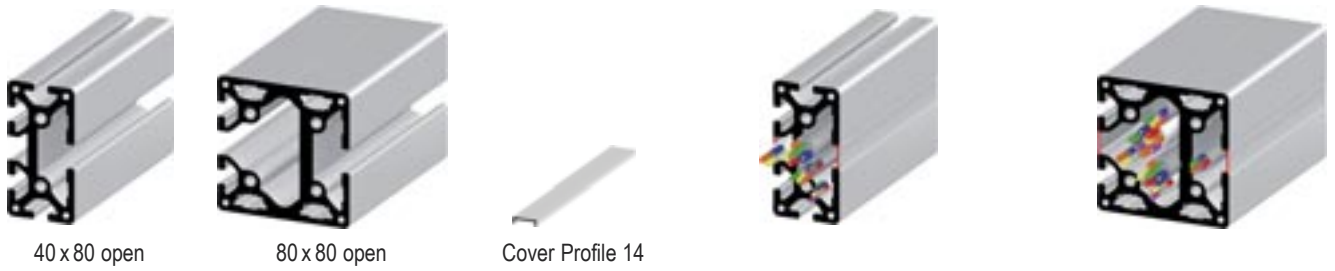


Wiring Ducts



Open Profiles



Turntable Sets 40

Cable Joints



Turntable 40

Turntable 80

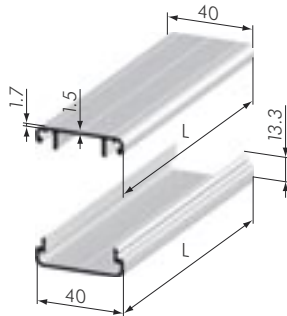
Turntable 80, open



Turntable Sets 80

Turntables

Turntable Sets



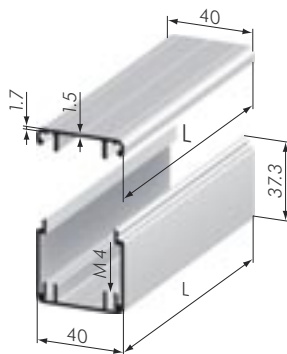
SP1300N / SP1370N



Wiring Duct 16 x 40			
Part No	Description	Length	Weight
SP1300N3000	Wiring Duct 16 x 40, natural	3000 mm	0.84 kg
SP1300N6000	Wiring Duct 16 x 40, natural	6000 mm	1.68 kg
SP1301N	Wiring Duct 16 x 40, natural	cut	0.28 kg / m
SP1370N3000	Wiring Duct Cover 40, natural	3000 mm	0.94 kg
SP1370N6000	Wiring Duct Cover 40, natural	6000 mm	1.88 kg
SP1371N	Wiring Duct Cover 40, natural	cut	0.31 kg / m

Application: Comprises wiring duct 16 x 40 and wiring duct cover 40.

Acc.: SZ0053S: wiring duct cap 16 x 40
DK7981040090: metal screws DIN 7981, ST 4,2x9,5



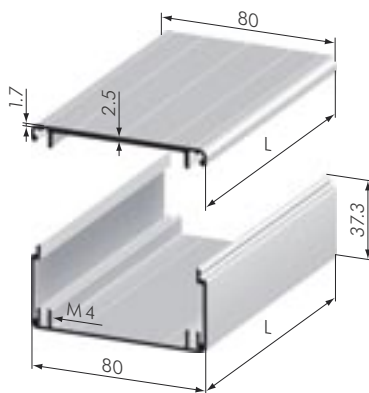
SP1310N / SP1370N



Wiring Duct 40 x 40			
Part No	Description	Length	Weight
SP1310N3000	Wiring Duct 40 x 40, natural	3000 mm	1.85 kg
SP1310N6000	Wiring Duct 40 x 40, natural	6000 mm	3.70 kg
SP1311N	Wiring Duct 40 x 40, natural	cut	0.62 kg / m
SP1370N3000	Wiring Duct Cover 40, natural	3000 mm	0.94 kg
SP1370N6000	Wiring Duct Cover 40, natural	6000 mm	1.88 kg
SP1371N	Wiring Duct Cover 40, natural	cut	0.31 kg / m

Application: Comprises wiring duct 40 x 40 and wiring duct cover 40.

Acc.: SZ0050S: wiring duct cap 40 x 40
DK7981040090: metal screws DIN 7981, ST 4.2 x 9.5



SP1320N / SP1380N



Wiring Duct 40 x 80			
Part No	Description	Length	Weight
SP1320N3000	Wiring Duct 40 x 80, natural	3000 mm	2.34 kg
SP1320N6000	Wiring Duct 40 x 80, natural	6000 mm	4.68 kg
SP1321N	Wiring Duct 40 x 80, natural	cut	0.78 kg / m
SP1380N3000	Wiring Duct Cover 80, natural	3000 mm	1.28 kg
SP1380N6000	Wiring Duct Cover 80, natural	6000 mm	2.55 kg
SP1381N	Wiring Duct Cover 80, natural	cut	0.64 kg / m

Application: Comprises wiring duct 40 x 80 and wiring duct cover 80.

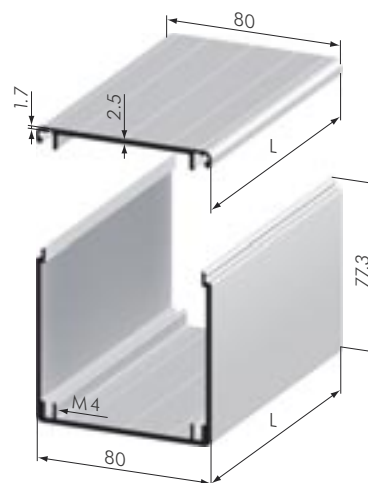
Acc.: SZ0051S: wiring duct cap 40 x 80
DK7981040090: metal screws DIN 7981, ST 4.2 x 9.5

Wiring Duct 80 x 80

Part No	Description	Length	Weight
SP1330N3000	Wiring Duct 80 x 80, natural	3000 mm	4.97 kg
SP1330N6000	Wiring Duct 80 x 80, natural	6000 mm	9.94 kg
SP1331N	Wiring Duct 80 x 80, natural	cut	1.66 kg/m
SP1380N3000	Wiring Duct Cover 80, natural	3000 mm	1.28 kg
SP1380N6000	Wiring Duct Cover 80, natural	6000 mm	2.55 kg
SP1381N	Wiring Duct Cover 80, natural	cut	0.64 kg/m

Application: Comprises wiring duct 80 x 80 and wiring duct cover 80.

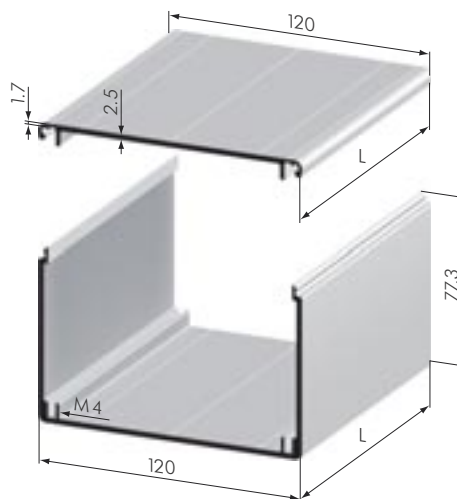
Acc.: SZ0052S: wiring duct cap 80 x 80
DK7981040090: metal screws DIN 7981, ST 4.2x9.5

40

SP1330N / SP1380N
Wiring Duct 80 x 120

Part No	Description	Length	Weight
SP1340N3000	Wiring Duct 80 x 120, natural	3000 mm	5.79 kg
SP1340N6000	Wiring Duct 80 x 120, natural	6000 mm	11.58 kg
SP1341N	Wiring Duct 80 x 120, natural	cut	1.93 kg/m
SP1390N3000	Wiring Duct Cover 120, natural	3000 mm	2.73 kg
SP1390N6000	Wiring Duct Cover 120, natural	6000 mm	5.46 kg
SP1391N	Wiring Duct Cover 120, natural	cut	0.98 kg/m

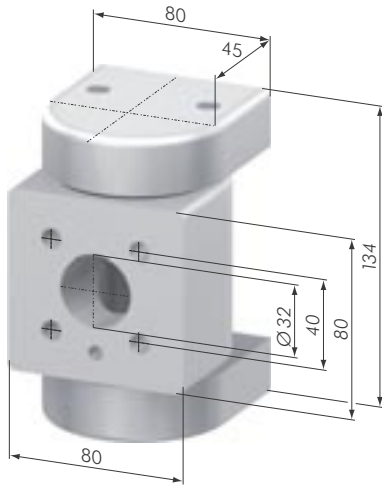
Application: Comprises wiring duct 80 x 120 and wiring duct cover 120.

Acc.: SZ0055S: wiring duct cap 80 x 120
DK7981040090: metal screws DIN 7981, ST 4.2x9.5

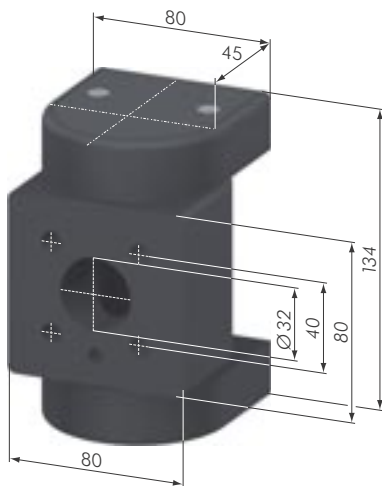
40

SP1340N / SP1390N

40

Cable Joints		
Part N°	Description	Weight
SA5200N	Cable Joint 80, natural	1.87 kg
SA5200S	Cable Joint 80, black	1.87 kg
SZ1720V	Fixing Set For Cable Joints	



SA5200N

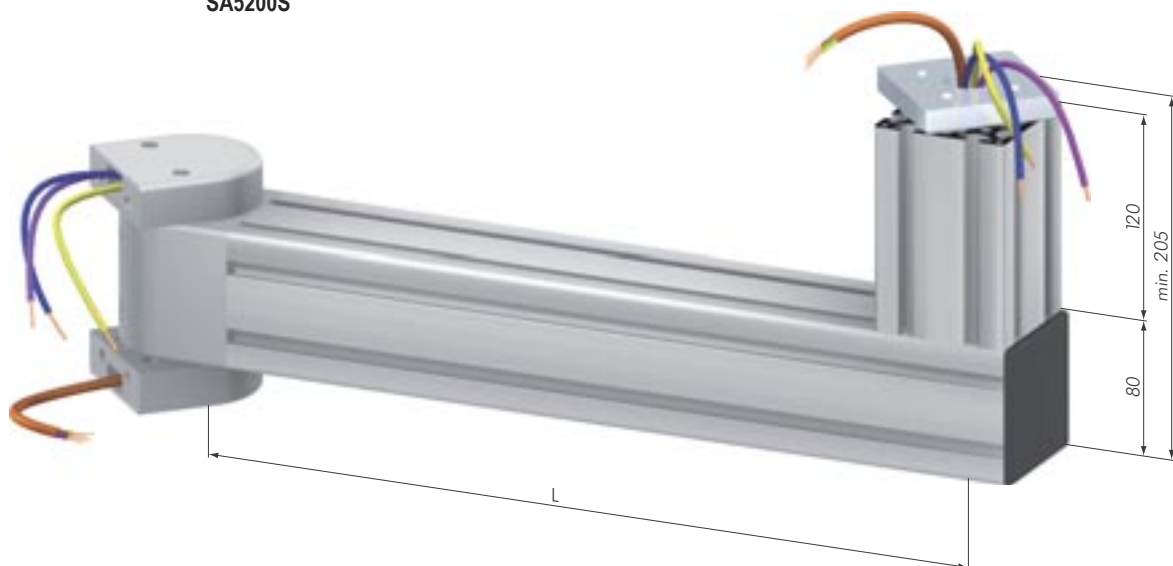


SA5200S

Application: Together with the cable arm, the cable joint forms an ideal unit for running electrical data or control cables from switch box/control cabinets to the control desk. The cable runs entirely in the profile, providing the best possible protection to the cables.

Material: aluminum, natural or black anodized

Acc.: SZ1720V: • 4x cap head screw M 8 x 70, DIN 912
• 4x central fastener 40 EQ

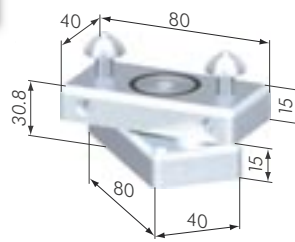


Turntables

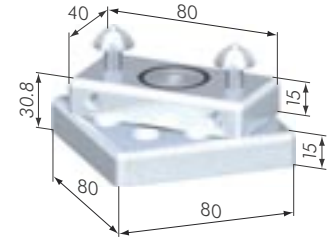
Part No	Description	Weight
SA5225N	Turntable 40	1.03 kg
SA5215N	Turntable 80	1.03 kg
SA5250N	Turntable 80, open	0.99 kg

Application: The turntables are used to construct moving swivel arms. The turntable 80 allows for cable runs in the *Paletti* open profiles to enter the turntable through the core hole.

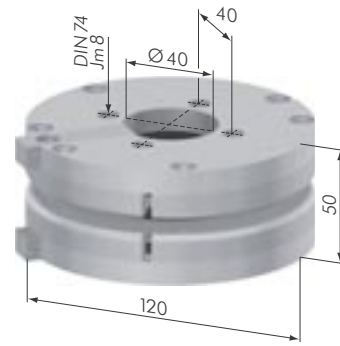
Material:
 turntable 40: steel, zinc-plated
 turntable 80: steel, zinc-plated
 turntable 80, open: aluminum, natural anodized
 glide bearing: plastic



SA5225N



SA5215N



SA5250N

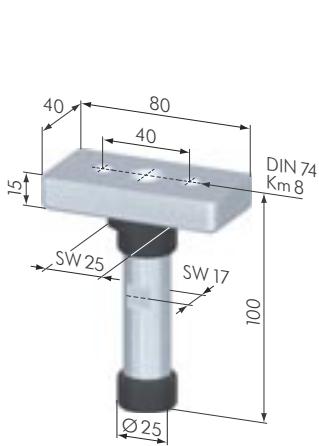




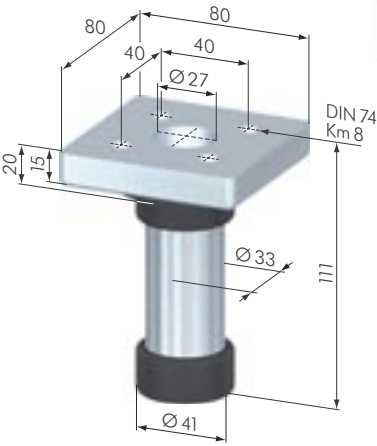
Turntable Sets		
Part No	Description	Weight
SA5220N	Turntable Set 40, natural	474 g
SA5220S	Turntable Set 40, black	474 g
SA5210N	Turntable Set 80, natural	800 g
SA5210S	Turntable Set 80, black	800 g

Application: The turntable set forms an ideal unit for creating swivel arms for monitors, control desks, etc. The turntable set 80 is installed in a section of profile 80 x 80 round, 120 mm long, and is supplied complete.

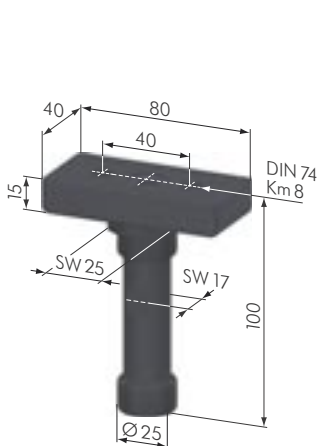
Material: steel, zinc-plated or zinc-plated black
POM, black



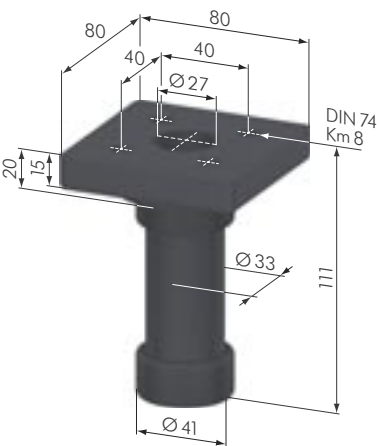
SA5220N



SA5210N



SA5220S



SA5210S

