



Drill Jigs



Spiral Drills

Short Step Drills

Drills



Hexagon Keys, with or without ball head



Hexagon Keys, with t-handle

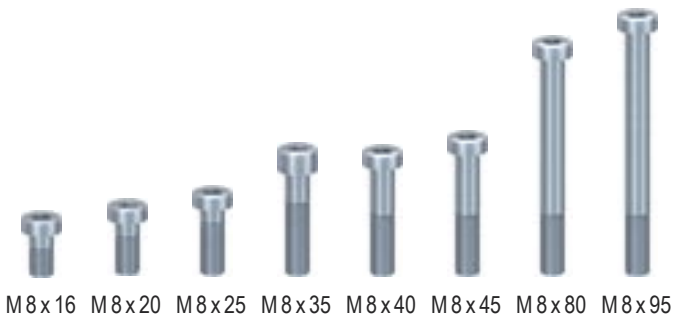


Screwdriver, with ball head

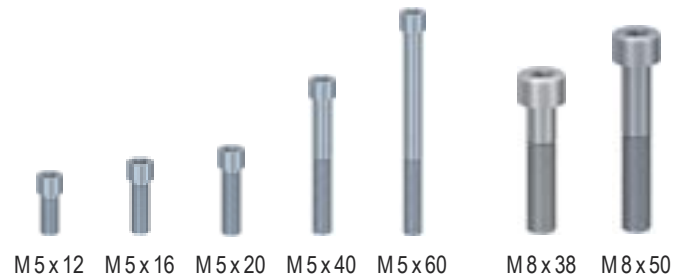


Ratchet Wrench

Hexagon Keys

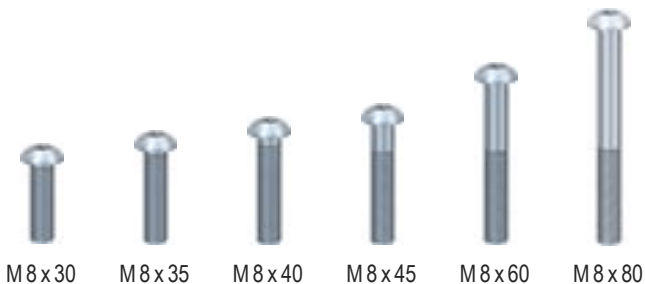


Cap Head Screws, M5 – M8



Special Cap Head Screws, head Ø7

corrosion-resistant



Button Head Screws, M5 – M8



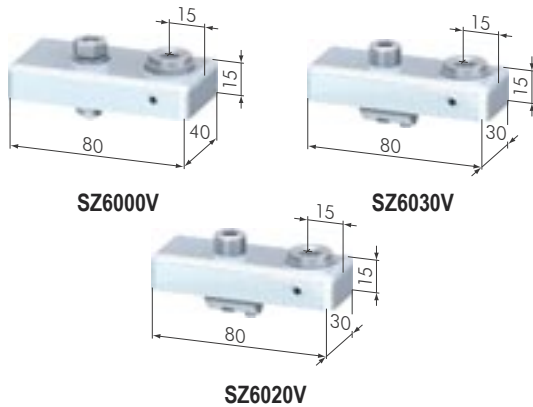
Sanding Block



Cutting Fluid



Shaft Oil



40
30
20

Drill Jigs		
Part No	Description	Weight
SZ6000V	Drill Jig 40	382 g
SZ6030V	Drill Jig 30 midi	264 g
SZ6020V	Drill Jig 20 mini	153 g

Application: Used for positioning the hole for the central fastener housing.

Material: steel, zinc-plated
drill bush hardened and ground



Spiral Drills		
Part No	Description	Weight
SZ6280S	Spiral Drill Ø 8	
SZ6285S	Spiral Drill Ø 8,5	
SZ6320S	Spiral Drill Ø 12	

Application: For drilling profiles.



40

Short Step Drills		
Part No	Description	Weight
SZ6205S	Short Step Drill 180° M 5 (Ø 5,7 / 10 mm)	
SZ6206S	Short Step Drill 180° M 6 (Ø 6,8 / 11 mm)	
SZ6208S	Short Step Drill 180° M 8 (Ø 8,4 / 15 mm)	

Application: Used for drilling holes for cap head screws DIN 974.



SZ6002V

Aluminum Cutting Fluid		
Part No	Description	Quantity
SZ6002V	Aluminum Cutting Fluid	400 ml

Application: Applied when drilling or tapping holes in profiles.

Hexagon Keys

Part No	Description	Length
SZ6100V	Hexagon Key SW 3	20 x 126 mm
SZ6102V	Hexagon Key SW 4	25 x 142 mm
SZ6103V	Hexagon Key SW 5	28 x 160 mm
SZ6104V	Hexagon Key SW 6	32 x 180 mm
SZ6106V	Hexagon Key SW 8	36 x 200 mm

Application: Metric hexagon keys to fasten all hexagon screws.

Material: chrome-vanadium-steel, nickel-plated surface



SZ6106V

Hexagon Keys, with ball head

Part No	Description	Length
SZ6121V	Hexagon Key SW 3, with ball head	22 x 120 mm
SZ6122V	Hexagon Key SW 4, with ball head	24 x 135 mm
SZ6123V	Hexagon Key SW 5, with ball head	28 x 150 mm
SZ6124V	Hexagon Key SW 6, with ball head	32 x 170 mm
SZ6126V	Hexagon Key SW 8, with ball head	36 x 195 mm

Application: Metric hexagon keys to fasten all hexagon screws. Long end ball head can be positioned at an angle of up to 30°.

Material: chrome-vanadium-steel, nickel-plated surface



SZ6126V

Screwdrivers, with ball head

Part No	Description	Blade
SZ6131V	Screwdriver SW 3, with ball head	100 mm
SZ6132V	Screwdriver SW 4, with ball head	100 mm
SZ6133V	Screwdriver SW 5, with ball head	100 mm
SZ6134V	Screwdriver SW 6, with ball head	125 mm
SZ6136V	Screwdriver SW 8, with ball head	150 mm

Application: Metric hexagon keys to fasten all hexagon screws. Long end ball head can be positioned at an angle of up to 30°.

Material: Handle manufactured of solid plastic. Key made of chrome-vanadium-steel with ball head; nickel-plated surface.



SZ6136V



SZ6146V

Hexagon Key, with t-handle		
Part Nº	Description	Blade
SZ6142V	Hexagon Key SW 4, with t-handle	100 mm
SZ6143V	Hexagon Key SW 5, with t-handle	100 mm
SZ6144V	Hexagon Key SW 6, with t-handle	100 mm
SZ6146V	Hexagon Key SW 8, with t-handle	100 mm

Application: Metric hexagon keys to fasten all hexagon screws.

Material: chrome-vanadium-steel, nickel-plated surface



SZ6156V

Hexagon Key, with t-handle		
Part Nº	Description	Blade
SZ6151V	Hexagon Key SW 3, with t-handle, long	200 mm
SZ6152V	Hexagon Key SW 4, with t-handle, long	200 mm
SZ6153V	Hexagon Key SW 5, with t-handle, long	200 mm
SZ6154V	Hexagon Key SW 6, with t-handle, long	200 mm
SZ6156V	Hexagon Key SW 8, with t-handle, long	200 mm

Application: Metric hexagon keys to fasten all hexagon screws.

Material: chrome-vanadium-steel, nickel-plated surface



SZ6190V

Ratchet Wrench 1/4", Hexagon Bits		
Part Nº	Description	Weight
SZ6190V	Ratchet Wrench 1/4"	120 g
SZ6193K	Hexagon Bit SW 3, short	
SZ6194K	Hexagon Bit SW 4, short	
SZ6195K	Hexagon Bit SW 5, short	
SZ6196K	Hexagon Bit SW 6, short	
SZ6198K	Hexagon Bit SW 8, short	

Application: Solid and durable ratchet handle with lever switch. Fulfills high torque requirement. 45 teeth, one-finger-switch, extra four-side 1/4" hex drive adapter with bit ejector.



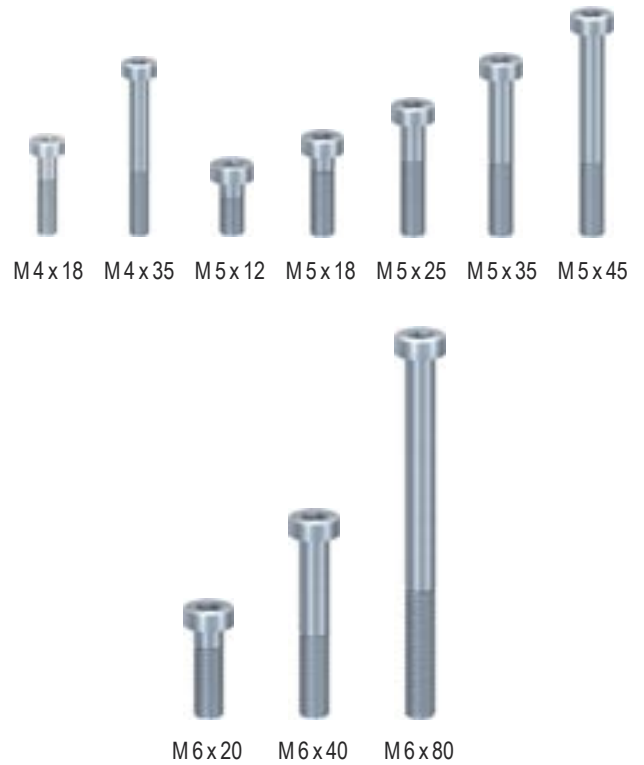
SZ6193K SZ6194K SZ6195K SZ6196K SZ6198K

Cap Head Screws, DIN 6912

Part No	Description	Weight
SS2218V	Cap Head Screw M 4 x 18	2g
SS2235V	Cap Head Screw M 4 x 35	4g
SS2312V	Cap Head Screw M 5 x 12	3g
SS2318V	Cap Head Screw M 5 x 18	3g
SS2325V	Cap Head Screw M 5 x 25	4g
SS2335V	Cap Head Screw M 5 x 35	6g
SS2345V	Cap Head Screw M 5 x 45	7g
SS2420V	Cap Head Screw M 6 x 20	5g
SS2440V	Cap Head Screw M 6 x 40	9g
SS2480V	Cap Head Screw M 6 x 80	17g
SS2516V	Cap Head Screw M 8 x 16	9g
SS2520V	Cap Head Screw M 8 x 20	10g
SS2525V	Cap Head Screw M 8 x 25	12g
SS2535V	Cap Head Screw M 8 x 35	13g
SS2538V	Cap Head Screw M 8 x 38	17g
SS2540V	Cap Head Screw M 8 x 40	17g
SS2545V	Cap Head Screw M 8 x 45	19g
SS2580V	Cap Head Screw M 8 x 80	32g
SS2595V	Cap Head Screw M 8 x 95	37g

Application: For screw connections.

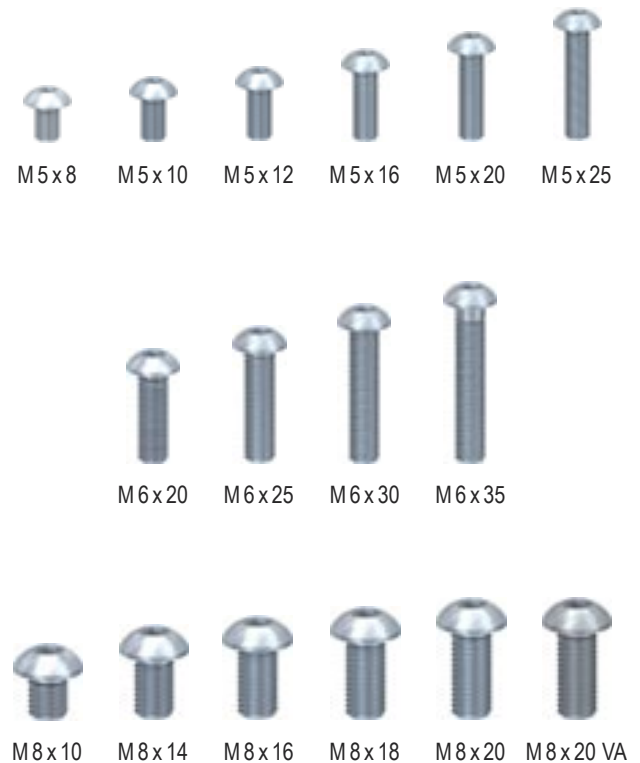
Material: DIN 6912; steel, zinc-plated; strength class 8.8;
hexagon socket

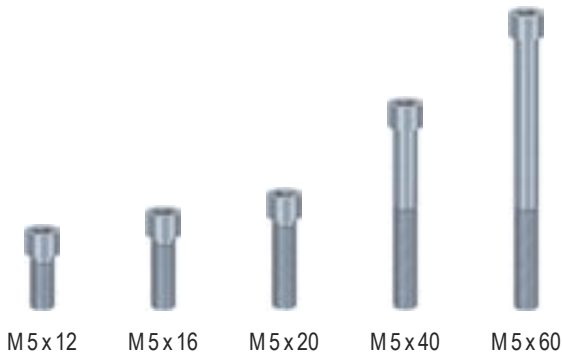

Button Head Screws, ISO 7380

Part No	Description	Weight
SS0308V	Button Head Screw M 5 x 8	2g
SS0310V	Button Head Screw M 5 x 10	2g
SS0312V	Button Head Screw M 5 x 12	2g
SS0316V	Button Head Screw M 5 x 16	3g
SS0320V	Button Head Screw M 5 x 20	3g
SS0325V	Button Head Screw M 5 x 25	4g
SS0420V	Button Head Screw M 6 x 20	4g
SS0425V	Button Head Screw M 6 x 25	5g
SS0430V	Button Head Screw M 6 x 30	6g
SS0435V	Button Head Screw M 6 x 35	7g
SS0610V	Button Head Screw M 8 x 10	5g
SS0614V	Button Head Screw M 8 x 14	7g
SS0616V	Button Head Screw M 8 x 16	7g
SS0618V	Button Head Screw M 8 x 18	8g
SS0620R	Button Head Screw M 8 x 20 VA	9g
SS0620V	Button Head Screw M 8 x 20	9g
SS0625V	Button Head Screw M 8 x 25	10g
SS0630V	Button Head Screw M 8 x 30	12g
SS0635V	Button Head Screw M 8 x 35	13g
SS0640V	Button Head Screw M 8 x 40	15g
SS0645V	Button Head Screw M 8 x 45	17g
SS0660V	Button Head Screw M 8 x 60	22g
SS0680V	Button Head Screw M 8 x 80	28g

Application: For screw connections.

Material: ISO 7380; steel, zinc-plated; strength class 10.9;
hexagon socket





Special Cap Head Screws		
Part No	Description	Weight
SS9012V	Cap Head Screw, head Ø 7, M 5 x 12	2 g
SS9016V	Cap Head Screw, head Ø 7, M 5 x 16	3 g
SS9020V	Cap Head Screw, head Ø 7, M 5 x 20	4 g
SS9040V	Cap Head Screw, head Ø 7, M 5 x 40	6 g
SS9060V	Cap Head Screw, head Ø 7, M 5 x 60	9 g

Application: For screw connections, where holes need to be drilled only on the outside of the profile e.g. for plates in pneumatic applications.

Material: steel, zinc-plated; hexagon socket



Cap Head Screws, DIN 912		
Part No	Description	Weight
SS2538D	Cap Head Screw M 8 x 38, corrosion-resistant	17 g
SS2550D	Cap Head Screw M 8 x 50, corrosion-resistant	23 g

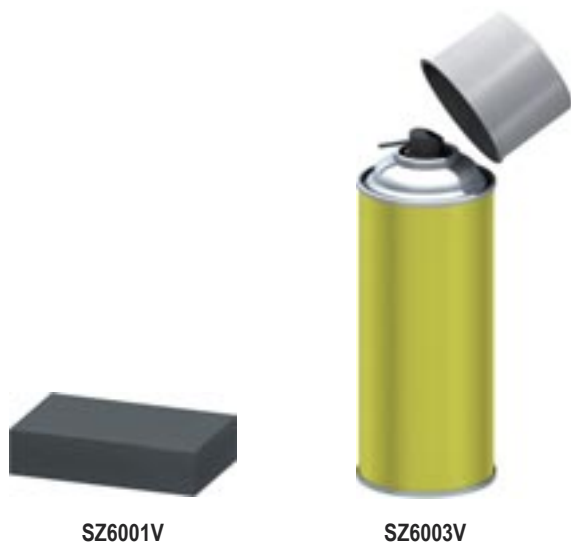
Application: Socket head screws with special coating to prevent corrosion between the screw and aluminium.



Security Washers		
Part No	Description	Weight
SS8204V	Security Washer Ø 4 mm	
SS8205V	Security Washer Ø 5 mm	
SS8206V	Security Washer Ø 6 mm	
SS8208V	Security Washer Ø 8 mm	

Application: Security Washer.

Material: steel, zinc-plated



Sanding Block		
Part No	Description	Weight
SZ6001V	Sanding Block	

Application: The eraser is used to clean the surfaces of aluminum profiles that have marks and small scratches.

Shaft Oil		
Part No	Description	Quantity
SZ6003V	Shaft Oil	400 ml

Application: To oil the felt inserts in wiper and lubrication systems. Can also be applied directly to steel surfaces for lubrication and protection.